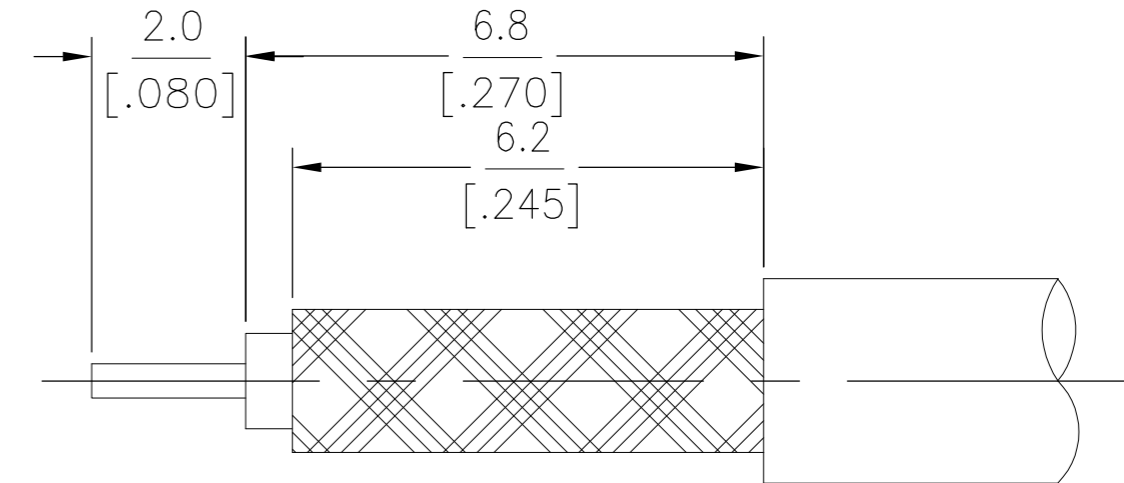
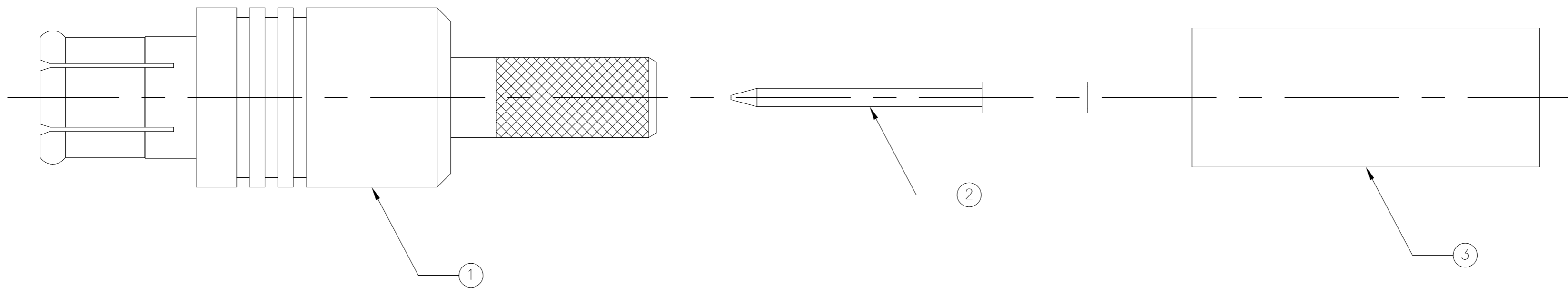


THIS DRAWING IS UNPUBLISHED. RELEASED FOR PUBLICATION  
 © COPYRIGHT BY TYCO ELECTRONICS CORPORATION. ALL RIGHTS RESERVED.

LOC		DIST		REVISIONS			
HC	00	P	LTR	DESCRIPTION	DATE	DWN	APVD
		C		REV PER ECO 08-007172	26MAR2008	DW	JL



RECOMMENDED STRIP LENGTH



1 BULK PACK IN QTYS OF 100 PIECES EACH:  
 100 CONTACTS, 100 FERRULES, 100 PLUG ASSYS

1	OBSOLETE	RD-179	1-413889-4	1408043-2	1408018-1	1362990-3
	OBSOLETE	RD-179	1-413889-4	1408043-2	1408018-1	1362990-2
		RG179/U	1-413889-3	1408043-2	1408018-1	1362990-1
		CABLE SIZE	FERRULE QTY=1 3	CONTACT QTY=1 2	PLUG ASSY. QTY=1 1	PART NUMBER

THIS DRAWING IS A CONTROLLED DOCUMENT.		DWN	07-29-00	Tyco Electronics Corporation Harrisburg, Pa 17105-3608		
DIMENSIONS: mm [INCHES]		CHK	-	NAME 75 OHM MCX CABLE PLUG CRIMP ATTACHMENT		
TOLERANCES UNLESS OTHERWISE SPECIFIED:		APVD	08-21-00	SIZE		
0 PLC ± -		PRODUCT SPEC	-	CAGE CODE	DRAWING NO	RESTRICTED TO
1 PLC ± -		APPLICATION SPEC	408-8412	A2	00779	C=1362990
2 PLC ± -		MATERIAL	-	SCALE	SHEET	OF
3 PLC ± 0.13 [.005]		FINISH	-	10:1	1	1
4 PLC ± -				CUSTOMER DRAWING	REV	C
ANGLES ± 1°						

1362990